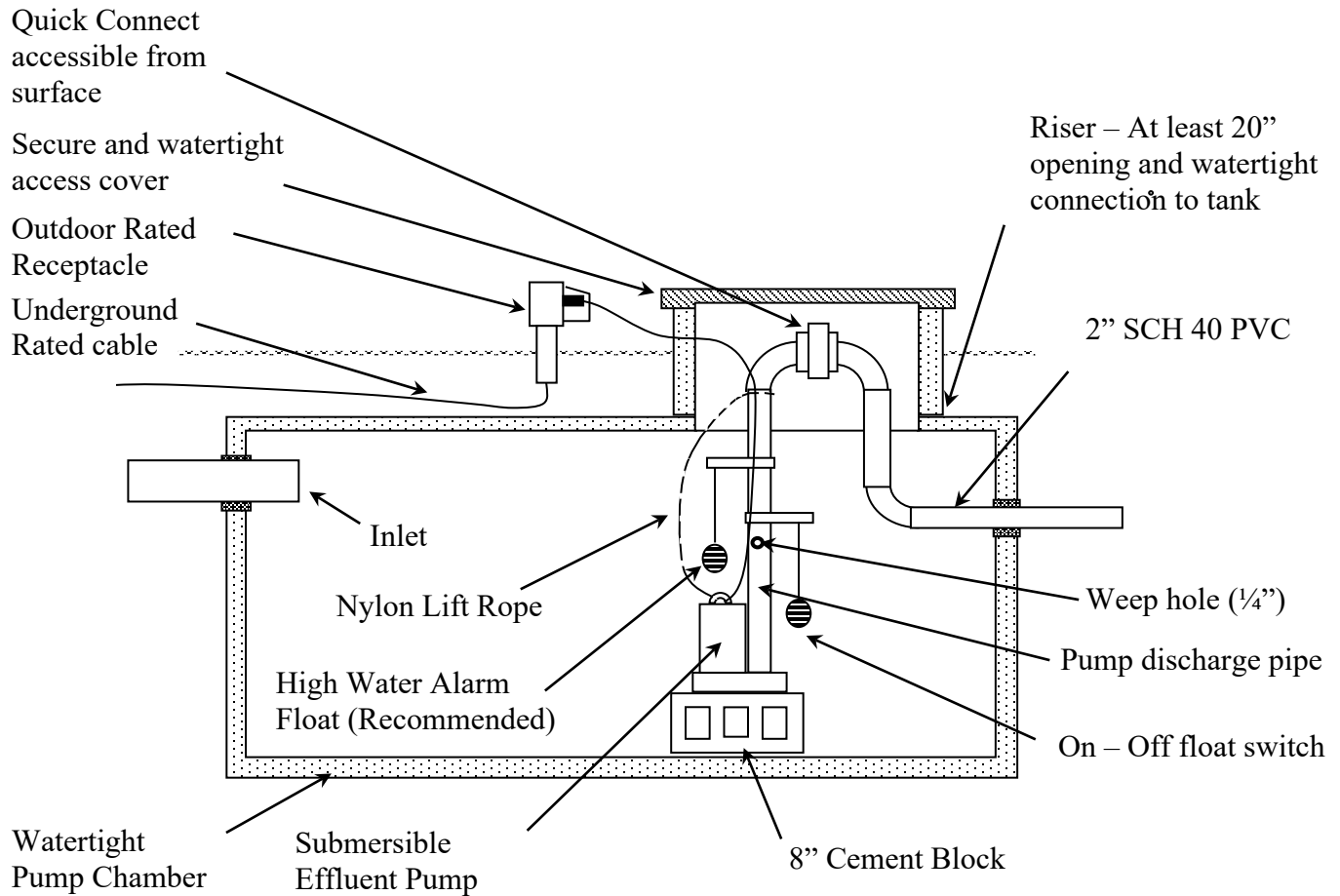


*Kent County Health Department  
Water Supply / Waste-water Disposal Facility Permit*

**PUMP CHAMBER  
CROSS SECTIONAL VIEW & SPECIFICATIONS**



**NO CHANGES IN DESIGN WITHOUT PRIOR WRITTEN APPROVAL OF HEALTH DEPARTMENT.**